

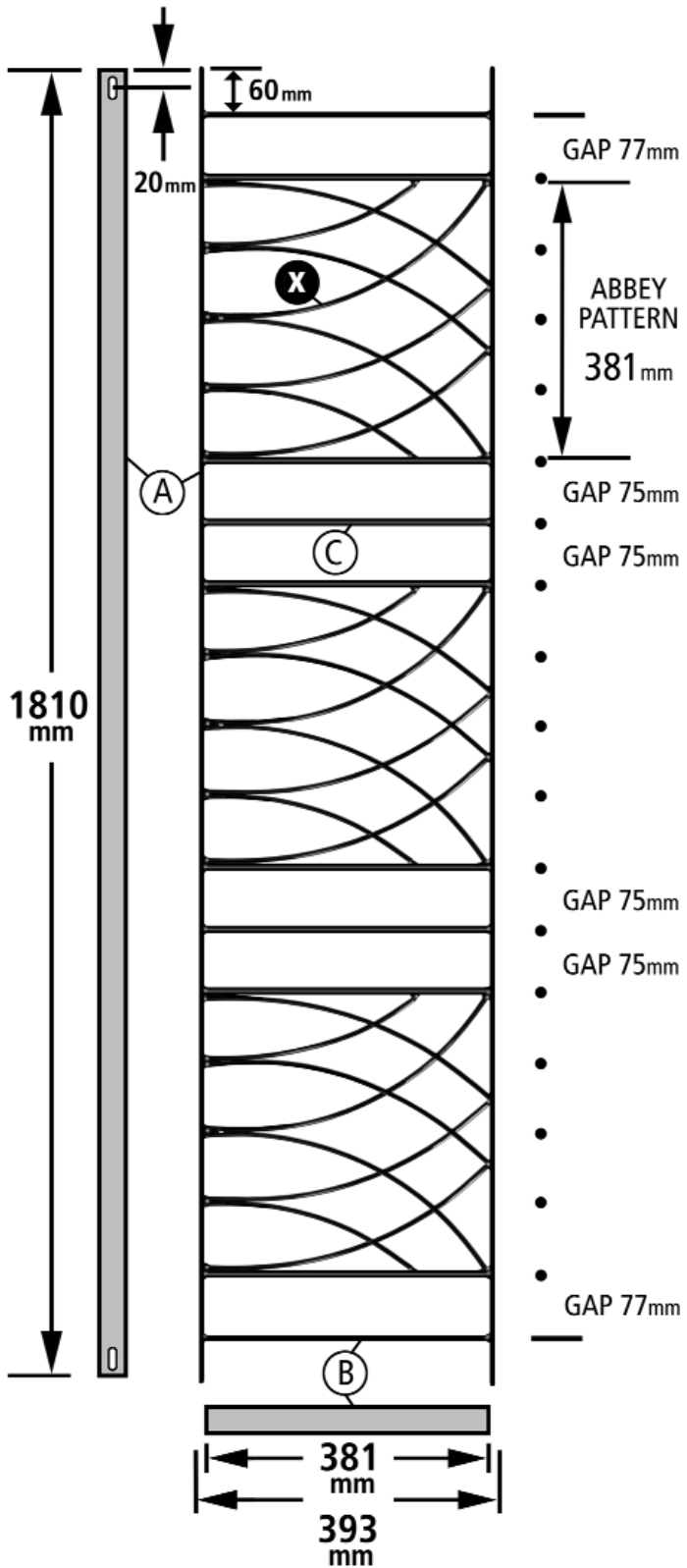
SPECIFICATION SHEET

ABBEY RAILING PANEL

BIC DESIGN REF:

AB06

MILD STEEL WELDED CONSTRUCTION
ALL BARS TO BE CLEAN AND BURR FREE
ROUND BAR AND FRAME FLAT BAR
TO BE WELDED ALL AROUND



25 mm x 6 mm FLAT BAR

(A) 2 x 1810 mm
BOTH WITH 30 mm x 11 mm SLOTS
AT 20 mm END TO CENTRE
BOTH ENDS

(B) 2 x 381 mm

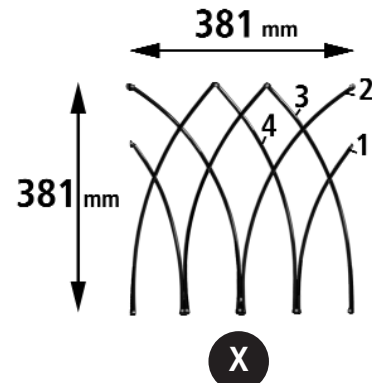
10 mm DIA ROUND BAR

(C) 8 x 381 mm

6 mm DIA ROUND BAR

(X) ABBEY PATTERN x 3

- 1 2 x 298 mm
- 2 2 x 438 mm
- 3 2 x 415 mm
- 4 2 x 415 mm



EAN CODE 5016635 800972